



Features & Benefits

1. High performance and reputable brand led chips and driver
2. Clear polycarbonate lens with no risk of lamp breaking for safe industry applications
3. Optimized aluminum alloy housing design for superior thermal management
4. Instant light up with no warm up time
5. No cool down needed before restart
6. High mechanical impact resistance and ingress protection rating
7. Compact in size and easy for transportation

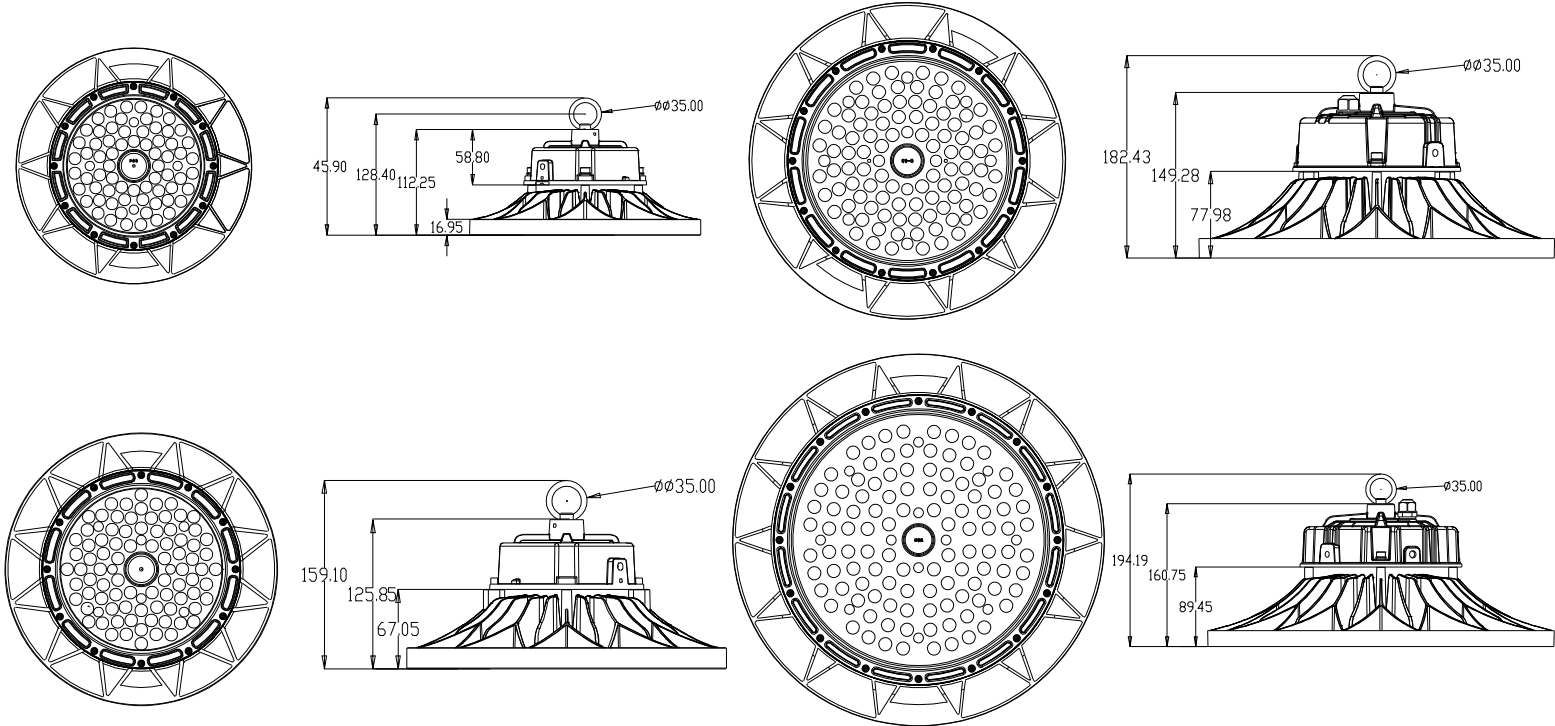
Options

1. Safety rope
2. 1-10V Dimming
3. 60/90/110 degree lens
4. Adjustable mounting bracket

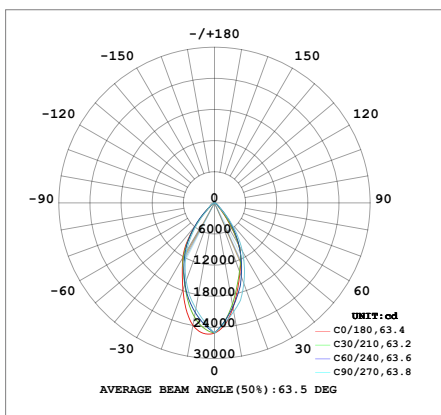
Follow us



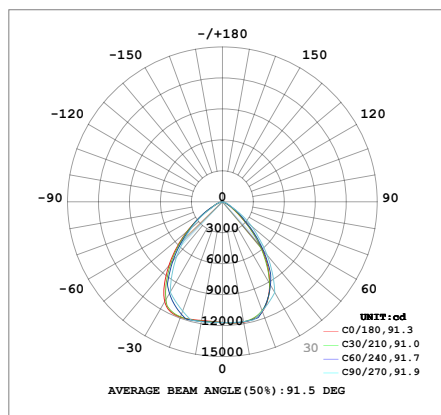
Dimensions



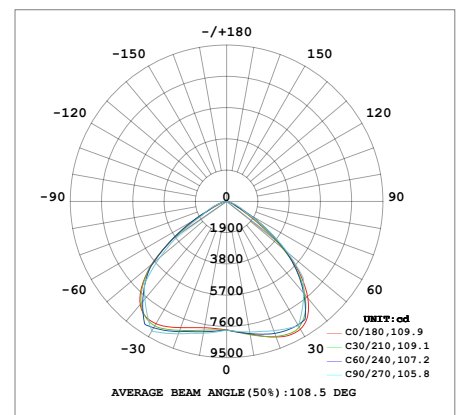
Photometry



60°



90°



110°

Specifications

- Power Consumption: 100-300W
- Luminous Flux: 14,000lm to 42,000lm
- Input Voltage: 100-277V~
- Color Temperature: 2700 - 6500K
- IP and IK Rating: IP65 and IK08
- Color Rendering Index (Ra): 80+
- L70 lumen maintenance: >50,000 hours
- Power factor: >0.95
- Warranty: 5 years
- Operation Temperature Range: -30°C to +50°C

Ordering Information

Part No	Power	CCT	Flux	Dimming	Diameter	Height	Beam Angle
ISL-UFO-F100W	100W	2700-6500K	14,000-15,000lm	NO	245mm	146mm	60/90/110°
ISL-UFO-F150W	150W	2700-6500K	21,000-25,500lm	NO	270mm	159mm	60/90/110°
ISL-UFO-F200W	200W	2700-6500K	28,000-30,000lm	NO	320mm	182.5mm	60/90/110°
ISL-UFO-F240W	240W	2700-6500K	33,600-36,000lm	NO	320mm	182.5mm	60/90/110°
ISL-UFO-F300W	300W	2700-6500K	42,000-45,000lm	NO	390mm	194mm	60/90/110°

Model	Carton Size	N.W	G.W	QTY
ISL-UFO-F100W	270*270*140mm	1.8KG	2.0KG	1PCS
ISL-UFO-F150W	300*300*190mm	2.2KG	2.5KG	1PCS
ISL-UFO-F200W	350*350*210mm	2.8KG	3.0KG	1PCS
ISL-UFO-F240W	350*350*210mm	2.8KG	3.0KG	1PCS
ISL-UFO-F300W	420*420*220mm	3.7KG	4.0KG	1PCS

Telephone: +86-0755-29815402

Email: info@ishinelux.com